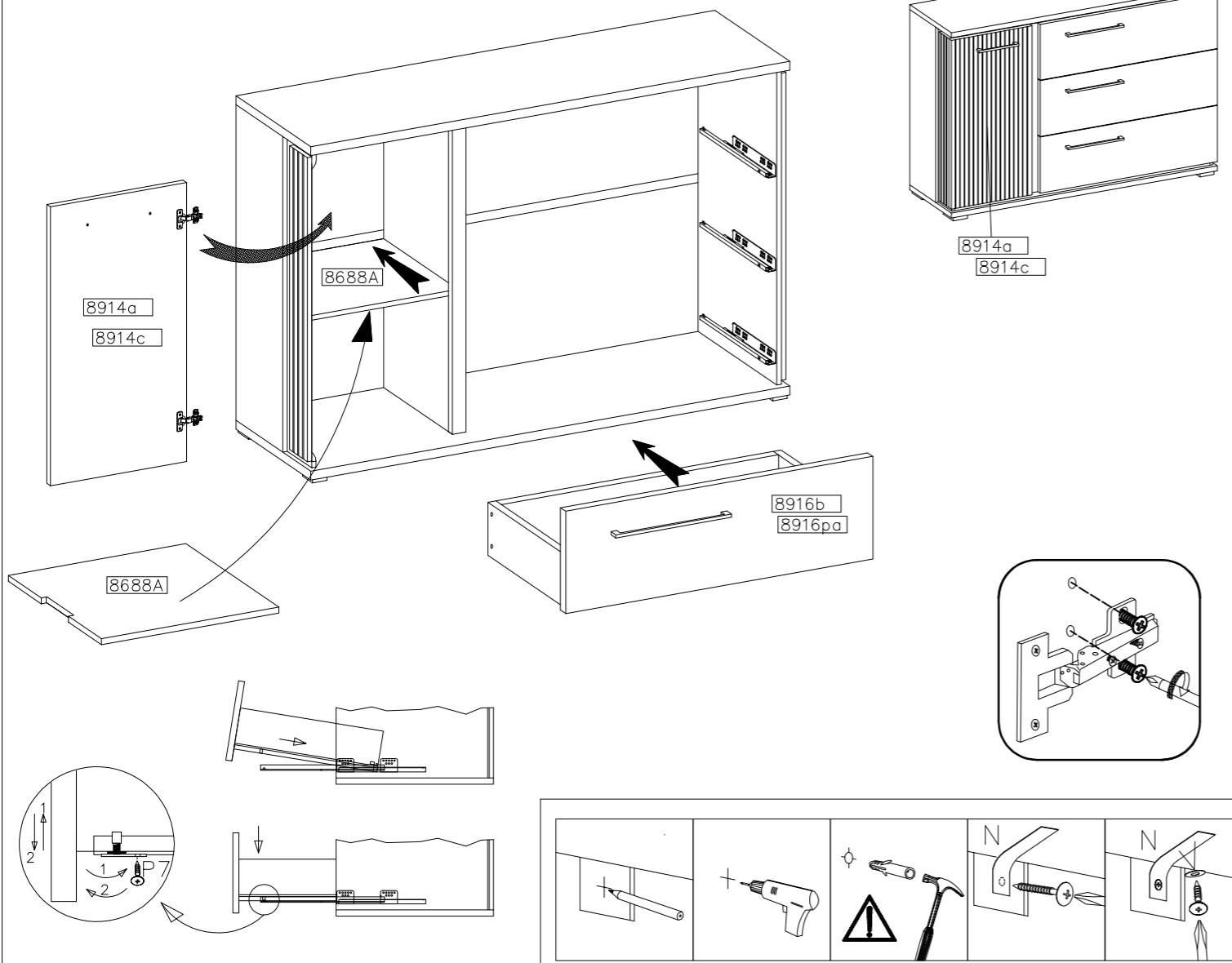


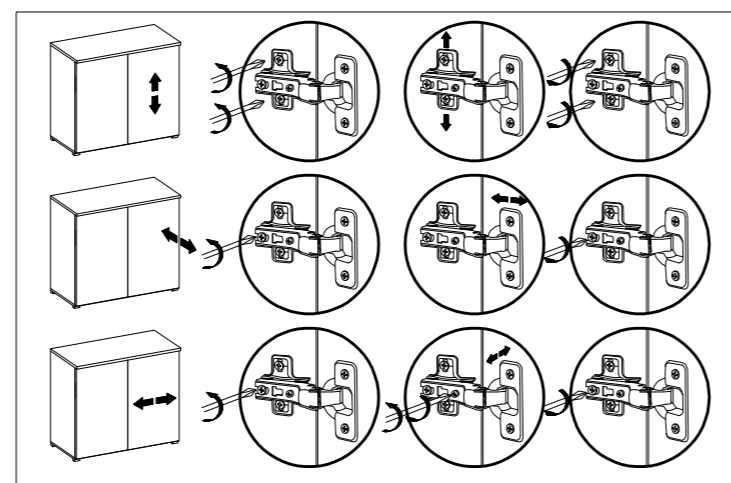
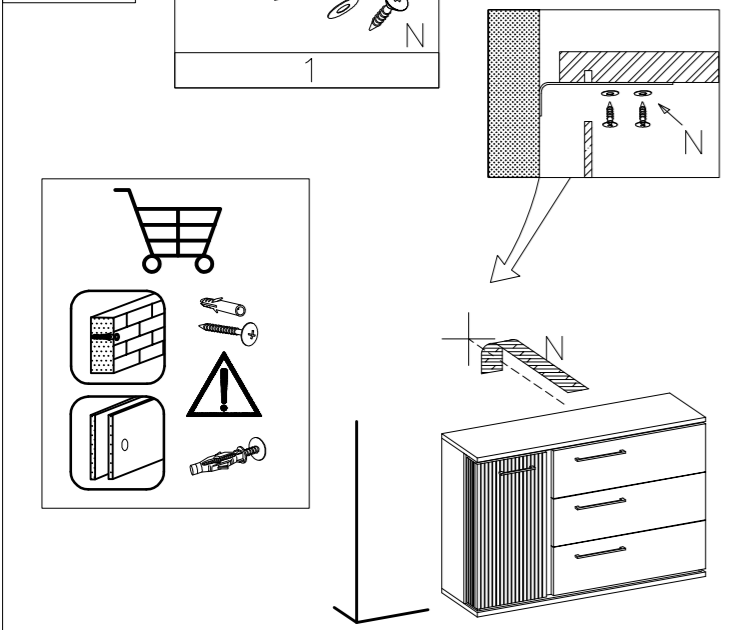
17

Ø3.0x20mm  
P7  
6



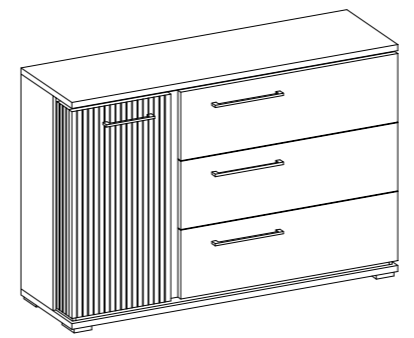
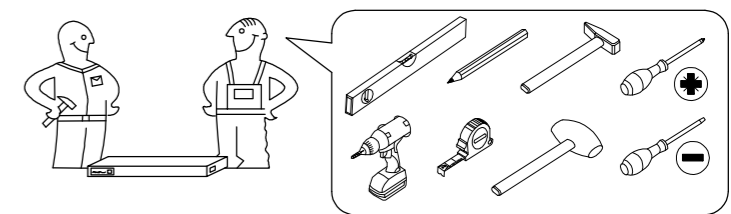
18

Ø3.5x16mm  
1

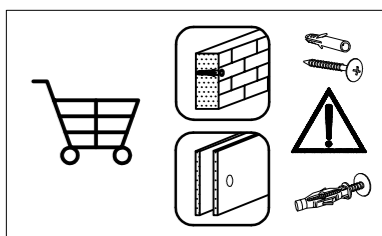
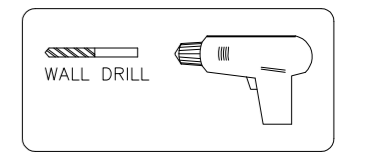
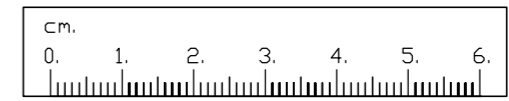
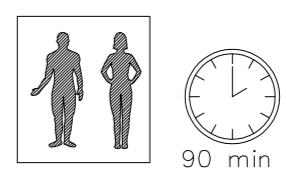
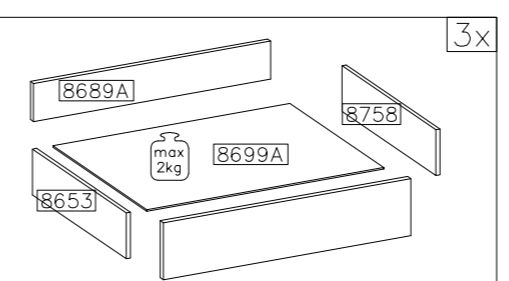
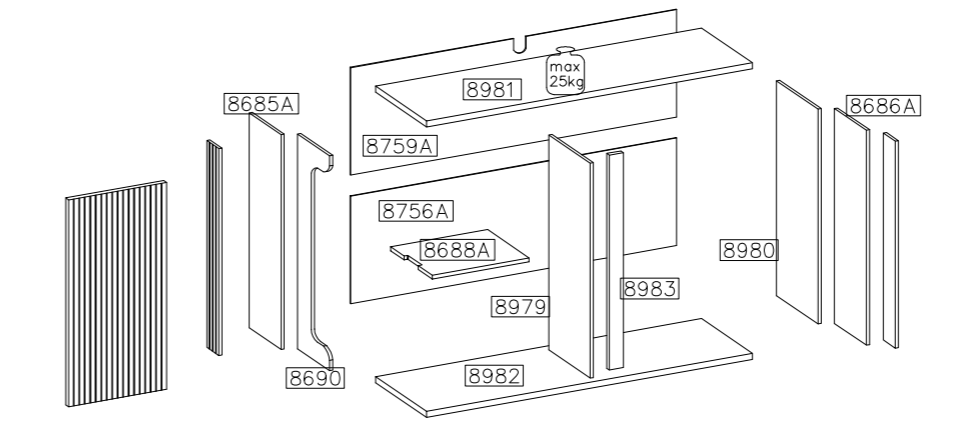
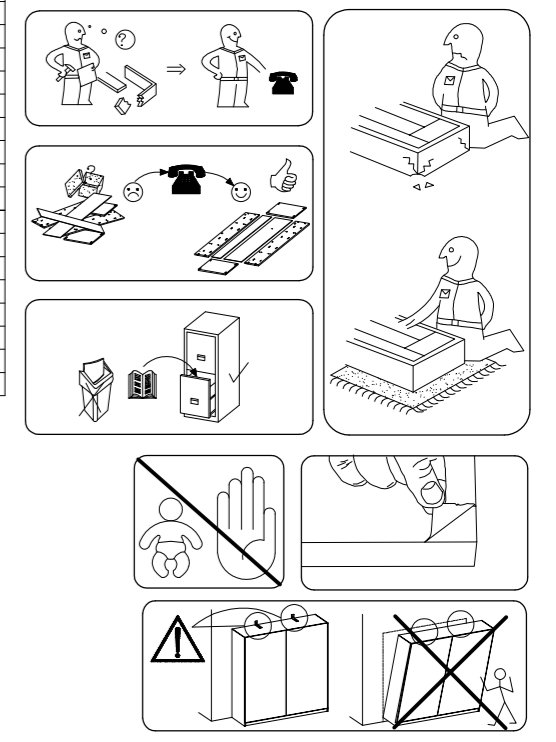
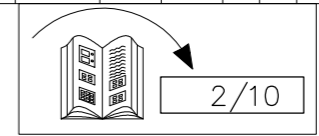


# MOLTO II

-ML12 POPRAWNA INSTRUKCJA/  
CORRECT ASSEMBLY



#	ART. NR	L	W	T	Q	Col.No
1	8685A	785	210	16	1	1
2	8686A	785	160	16	1	1
3	8979	785	314	16	1	1
4	8689A	782	123	16	3	1
5	8690	785	160	16	1	1
6	8980	785	330	16	1	1
7	8981	1300	370	25	1	2
8	8982	1300	370	25	1	2
9	8688A	416	314	16	1	2
10	8653	300	140	16	3	2
11	8758	300	140	16	3	2
12	8983	785	60	16	1	2
13	8699A	797	308	2,5	3	2
14	8759A	1283	399	2,5	1	2
15	8756A	1283	399	2,5	1	2

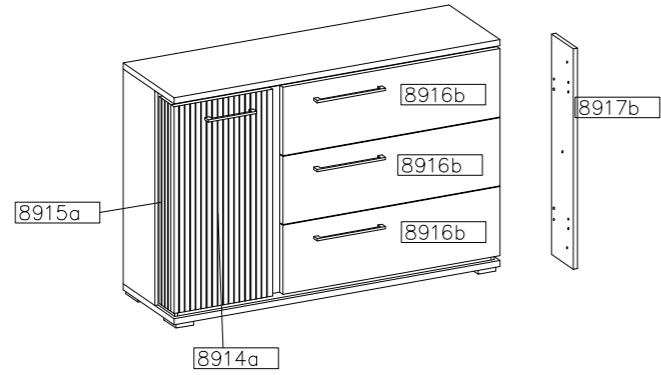


Ø8x30mm A 28	Ø8x20mm A7 4	Ø15/12mm B 6	Ø3.0x16mm C 14	Ø5.0x13mm D1 14	Ø4.0x27mm E 14	Ø3.0x20mm E1 6	Ø4.0x30mm F4 5	Ø35/KR-0 Z1 2
L 10	O 1	P1 34	P9 16	P18 6	U 12	P7 6	P3 20	G6 2
J4 4	S2 1	S3 3	M4.0x22mm R2 8	Ø3.5x16mm N 1	L R PR1 3SET			

**MOLTO II**  
-ML12

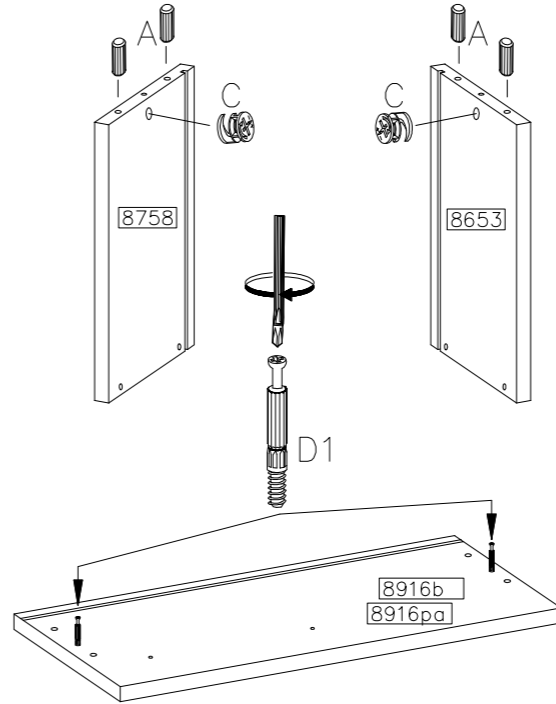
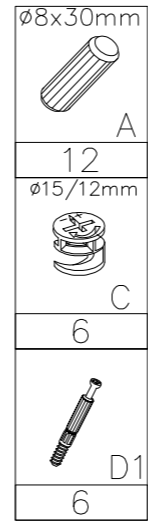
VERSION-01 ARTISAN

#	ART. NR	L	W	T	Q	Col.No
1	8914a	777	400	16	1	3
2	8915a	777	110	16	1	3
3	8916b	870	256	16	3	3
4	8917b	777	160	16	1	3



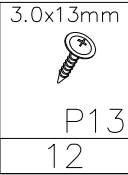
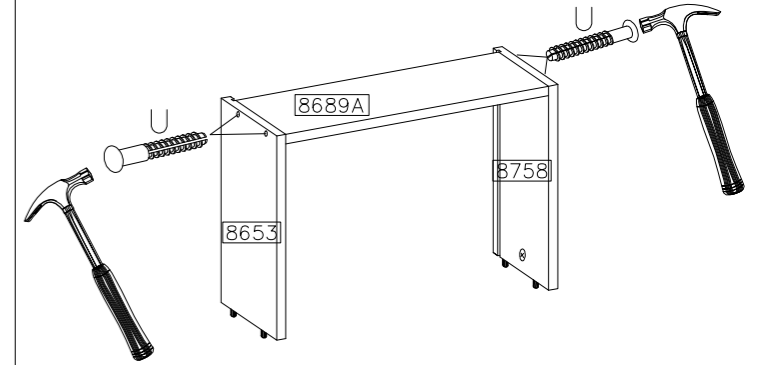
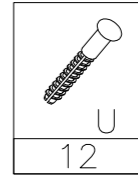
13

3x



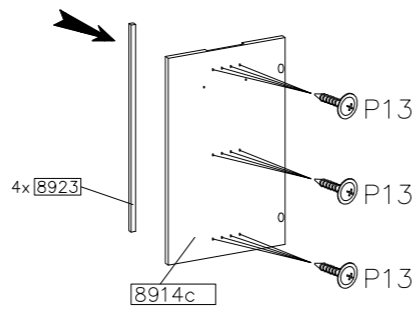
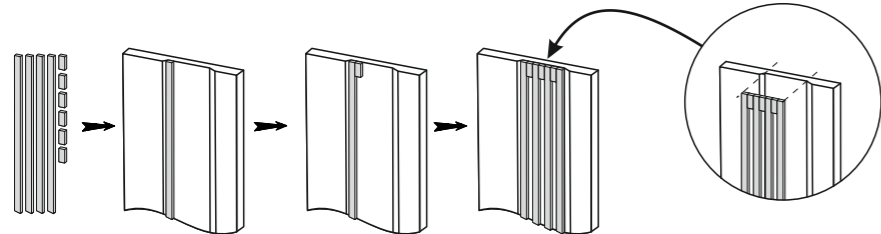
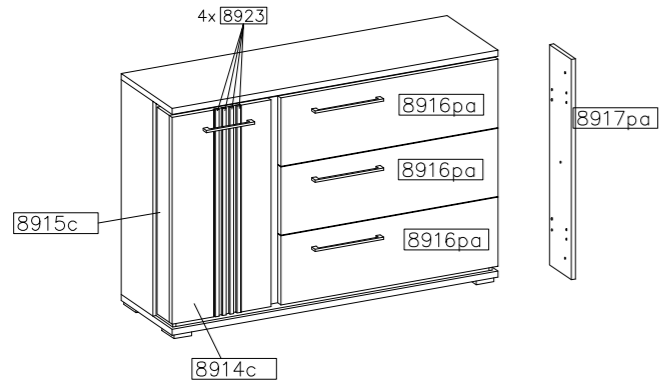
14

3x



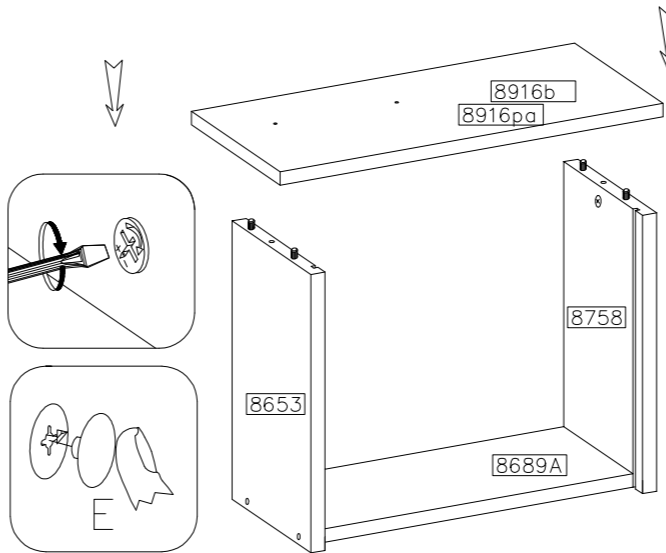
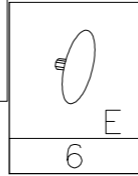
VERSION-03 BLACK FRONT

#	ART. NR	L	W	T	Q	Col.No
1	8914c	777	400	16	1	3
2	8915c	777	110	16	1	3
3	8916pa	870	256	16	3	3
4	8917pa	777	160	16	1	3
5	8923	776	16	10	4	3



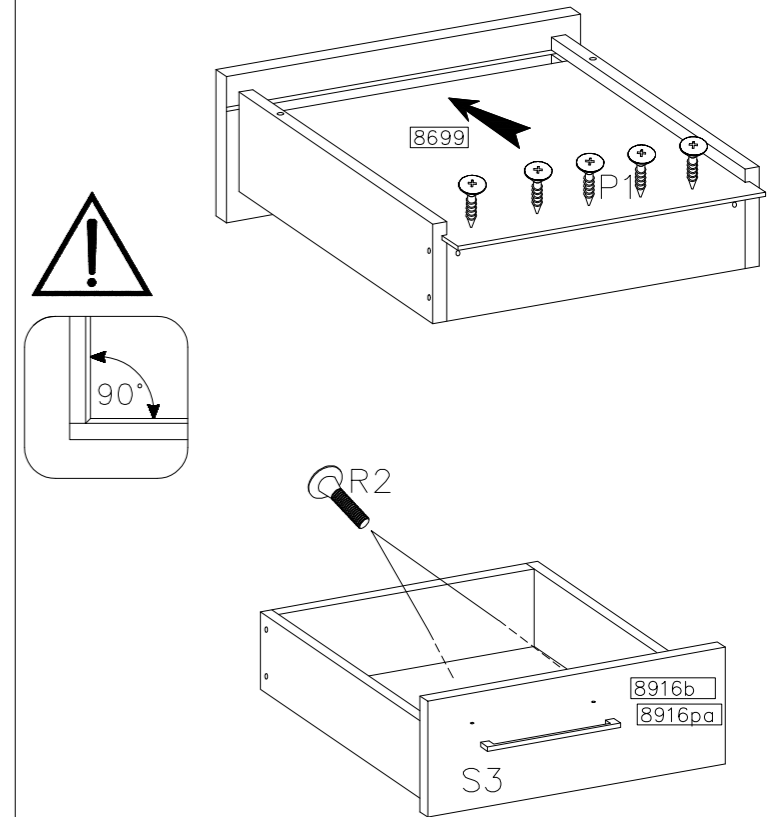
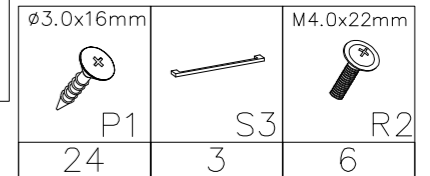
15

3x



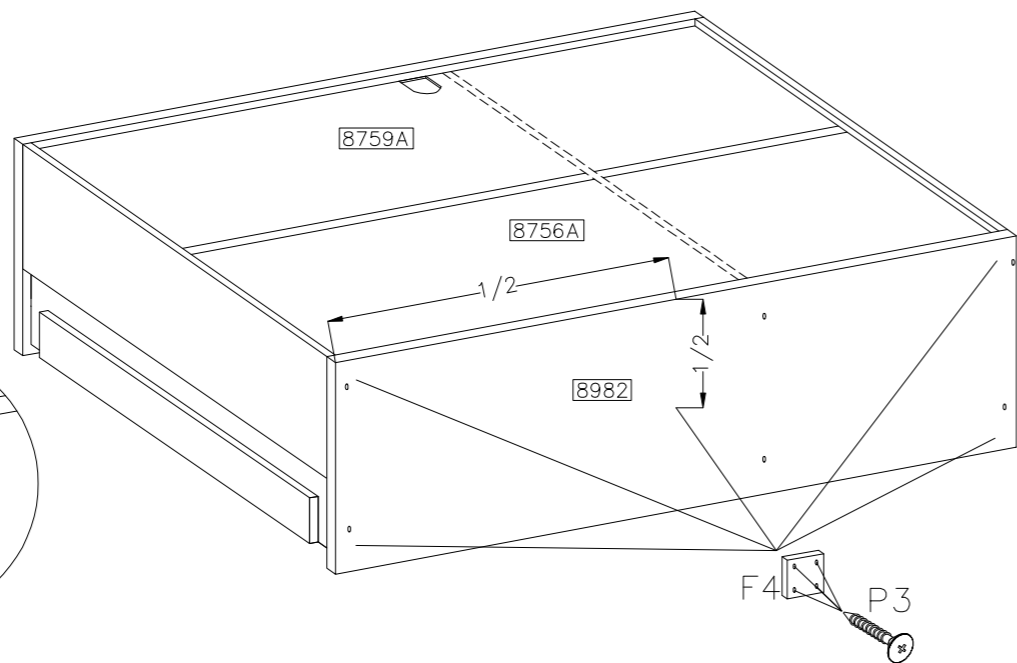
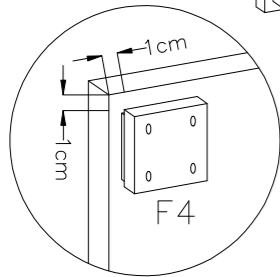
16

3x



10

	F4
5	$\phi 4.0 \times 30 \text{mm}$
	P3
20	

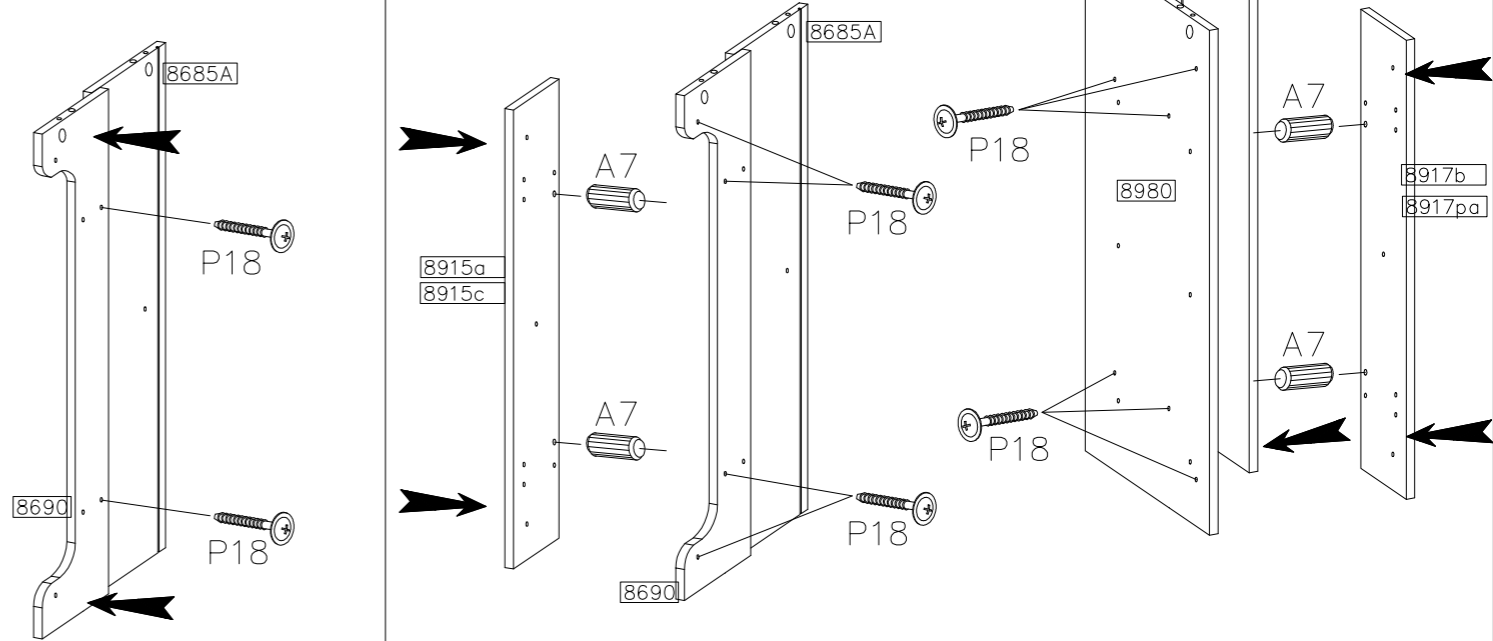


1

$\phi 4.0 \times 27 \text{mm}$	
	P18
2	

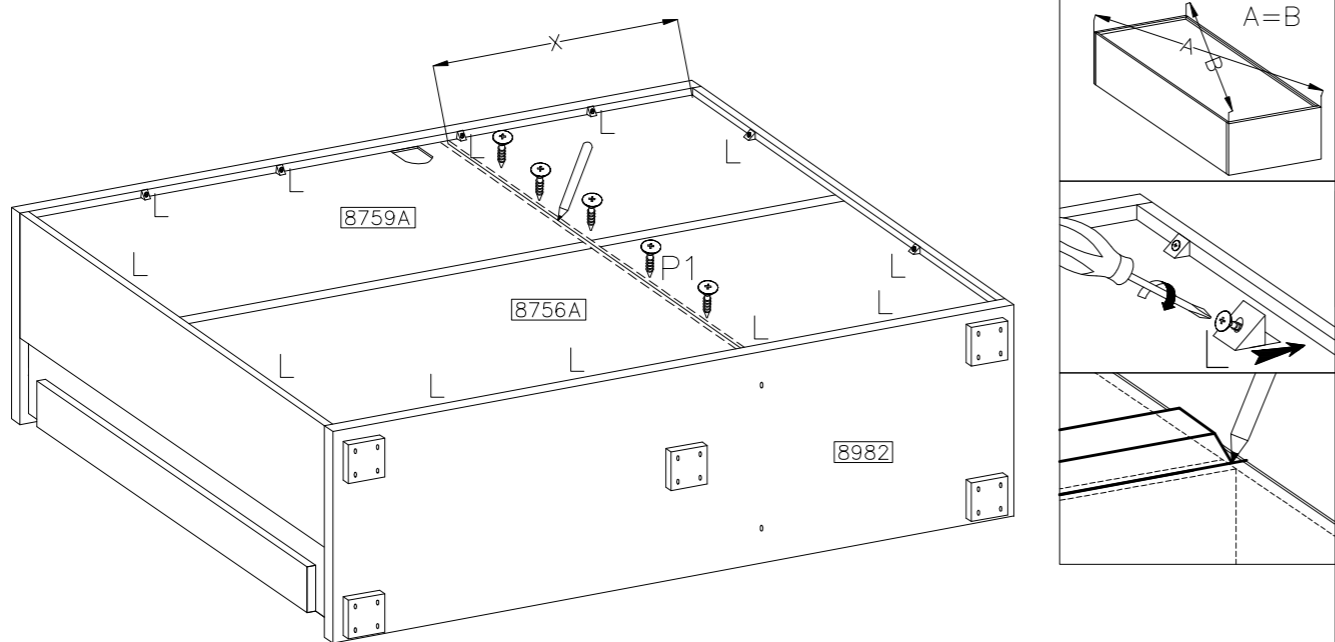
2

$\phi 4.0 \times 27 \text{mm}$	$\phi 8 \times 20 \text{mm}$
4	4



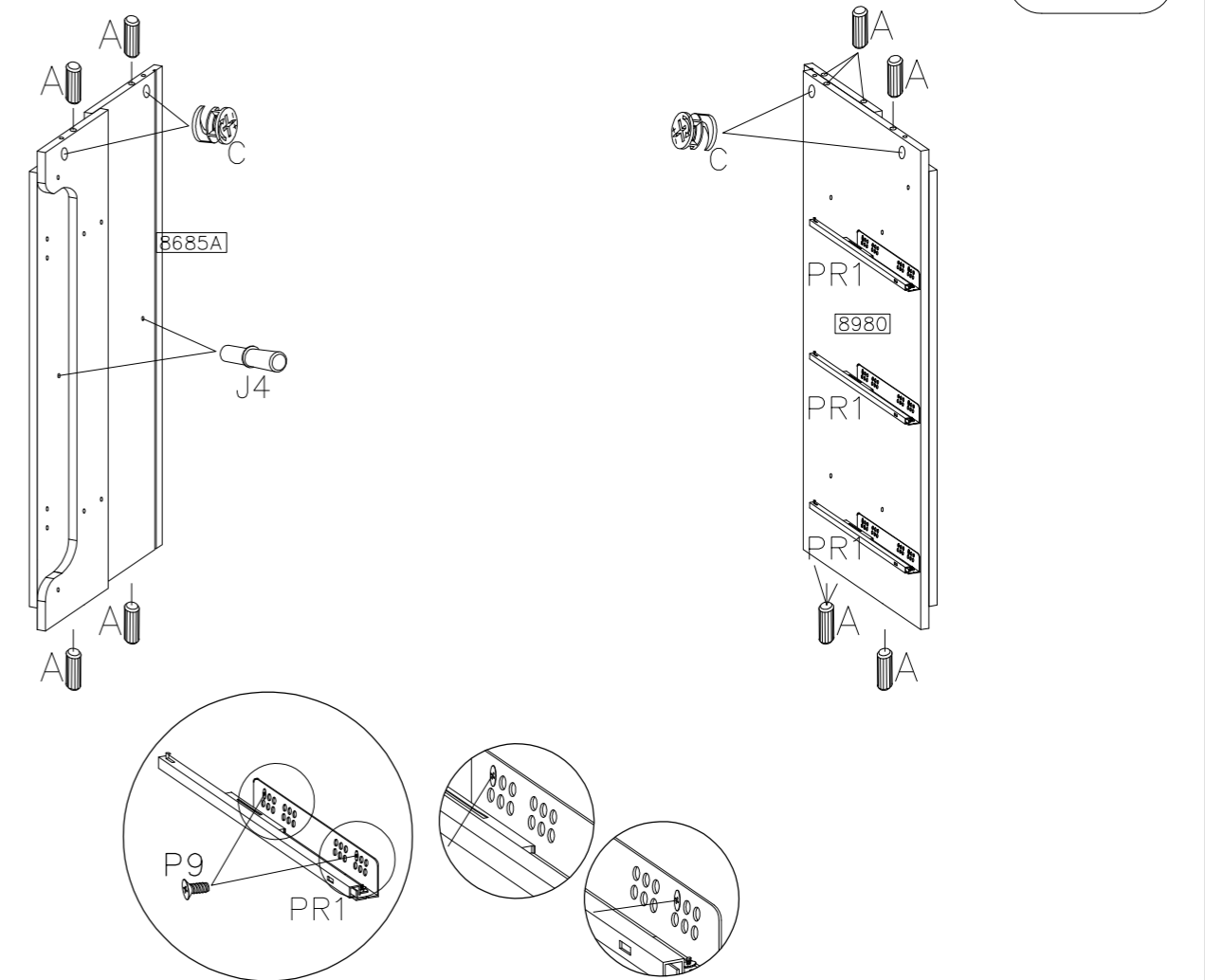
11

	L
10	$\phi 3.0 \times 16 \text{mm}$
	P1
10	



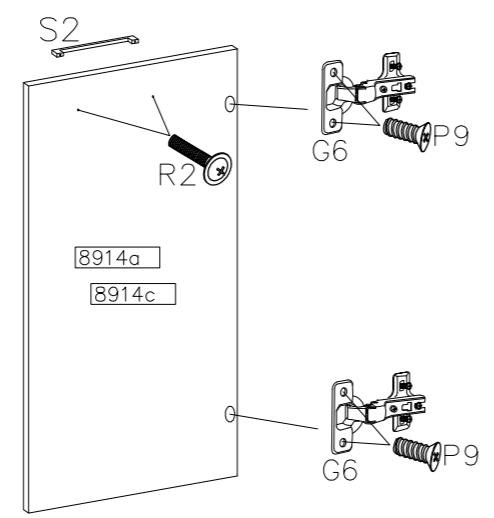
3

$\phi 8 \times 30 \text{mm}$	$\phi 15 / 12 \text{mm}$	$\phi 5.0 \times 13 \text{mm}$
12	2	6



12

$\phi 35 / \text{KR}-0$	$5.0 \times 13 \text{mm}$
2	4
$M4.0 \times 22 \text{mm}$	
1	2



**4**

$\varnothing 8 \times 30 \text{mm}$ A 4	J4 2	$\varnothing 15 / 12 \text{mm}$ C 4	D1 2
---	---------	---	---------

**5**

E  
2

**7**

E  
6

**6**

L 3SET PR1	$\varnothing 5.0 \times 13 \text{mm}$ P9 6	D1 6
------------------	--	---------

**8**

Z1  
2

**9**

$\varnothing 6,4 \times 50 \text{mm}$ B 6	O 1	E1 6
---	--------	---------